

# SCB WORK PLATFORM

## SETUP FOR PICK AND PACK OPERATIONS

### TECHNICAL SPECIFICATIONS

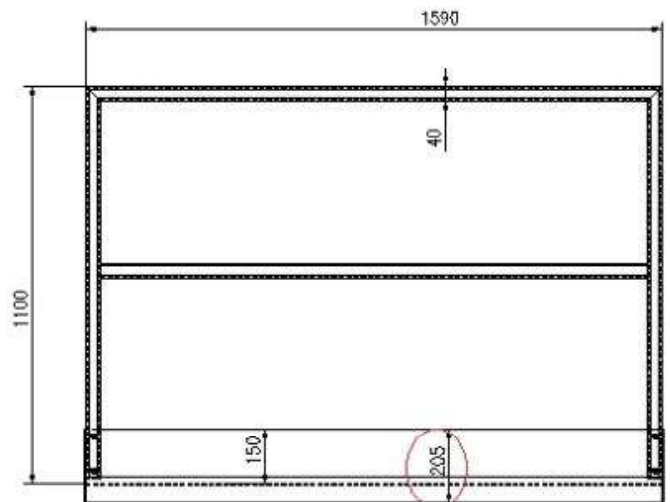
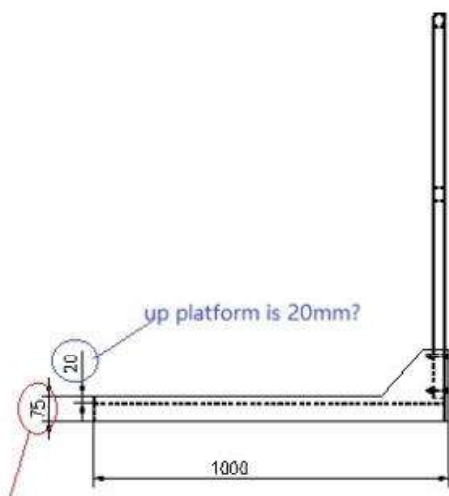
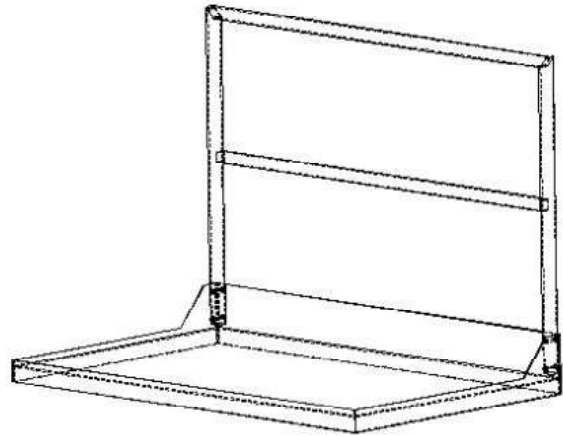
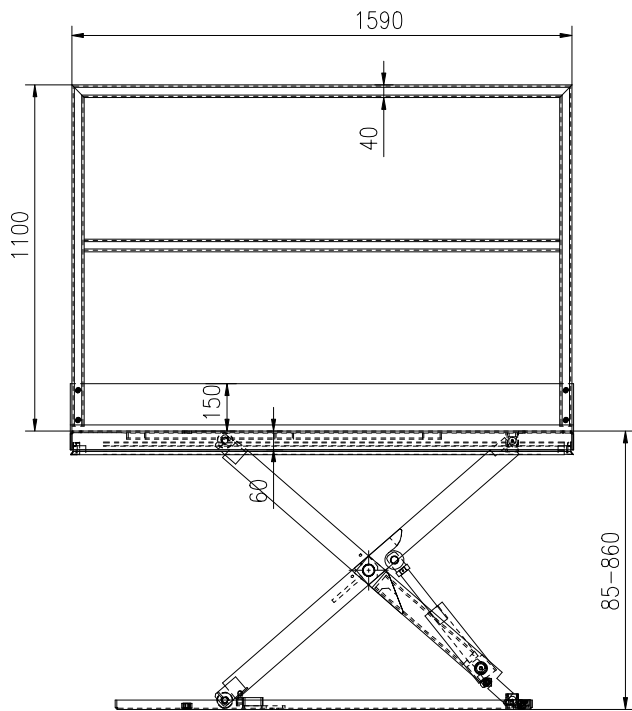
- > MAX CAPACITY: 500 KG UNIFORM LOAD (SWL)
- > PLATFORM: 1600X1000 INCL. CA. 65MM\* HANDRAIL
- > BASE FRAME: 1335X734 MM
- > TRAVEL: 775 MM
- > CLOSED HEIGHT: 85 MM
- > TOTAL HEIGHT: 860 MM
- > POWER: 1,1 kW / SEPARATE POWERPACK WITH COVER AND 2,5 M HYDRAULIC HOSE, WITHOUT STEEL POSTE FOR HAND CONTROL
- > SUPPLY: 3x400V/50HZ - 24V DC
- > EXPLOSIVE PROOF VALVE
- > LIFTING TIME: CA. 16-22 SEC.
- > LOWERING TIME: CA. 20-24 SEC.
- > SAFETY FRAME: ALUMINUM
- > HAND CONTROL: UP/DOWN/EMERGENCY STOP WITH 3 M CABLE
- > WEIGHT: APP 300 KG
- > FINISH: RAL 7031
- > 10 MM UP-EDGE ON 3 SIDES (1 LONGSIDE AND 2 SHORT SIDES) - EXCL. RUBBER MAT
- > HANDRAIL ON ONE LONG SIDE (THICKNESS CA 65 MM\*), HEIGHT 1100 MM WITH 150 MM HIGH KICK PLATE.
- > HANDRAIL FOR BOLT ON DUE TO TRANSPORT



The TRANSLYFT SCB work platform is custommade for the Autostore systems. The platform makes it easy for employees of different heights to adjust the platform and work at the most ergonomic work height. It is also possible to install the work platform in a small pit.



At Solar they were very happy with the solution. The work platforms improves ergonomics and are very subtle.



**Have any questions about dimensions or features? Please call us at +45 9886 4900 or find more information at [www.translyft.com](http://www.translyft.com)**